

**BW-U 15W(1 phase)**

Icc TDC PL2 : 14A  
 Icc Max : 32A  
 OCP : 37A  
 Fsw : 1.2MHz

**VCORE L/L :**  
 R\_DC\_LL : - 2.0mV/A  
 R\_AC\_LL : - 7.0mV/A

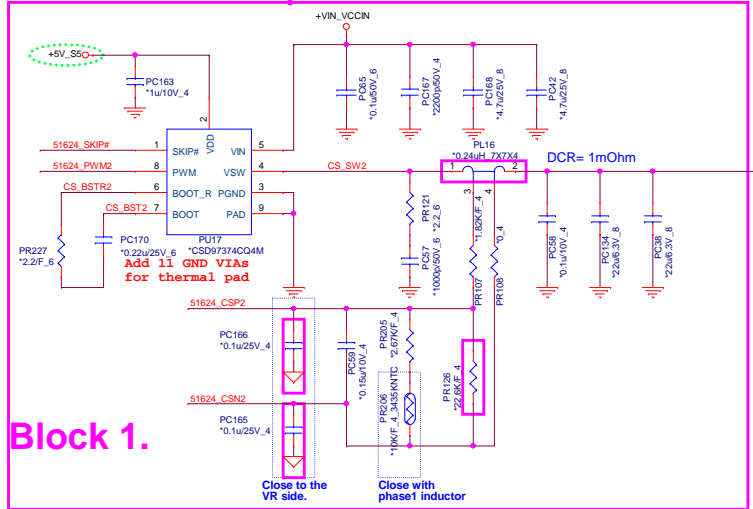
<b>Rmode</b>	100K Ohm	PS3	OSR
	150K Ohm	ON	OFF

**BW-U 28W(1 phase)**

Icc TDC PL2 : 19A  
 Icc Max : 40A  
 OCP : 47A  
 Fsw : 1.2MHz

**VCORE L/L :**  
 R\_DC\_LL : - 2.0mV/A  
 R\_AC\_LL : - 7.0mV/A

**For BW-U 28W 2 phase**



**BW-U 28W 1 phase**

Location	Value
PR79	CS22212FB11
PR122	CS32262FB15
PR94	CS45232FB00
PR223	CS24752FB12
PR98	CS35622FB10
PR109	CS44122FB00

**BW-U 28W 2 phase**

Location	Value	Location	Value
PL12 ~ PL16	0.24uH_7X7X4	PR105	56.2K/F_4
PR79	1.82K/F_4	PR223	2.37K/F_4
PR122 ~ PR126	*22.6K/F_4	PR138	10K/F_4
PR201	2.67K/F_4	PR109	150K/F_4
PC144	0.15u/10V_4	PR123 ~ PR127	*0_4
PR94	294K/F_4	PC162 ~ PC164	*0.1u/25V_4
Block 1.	Stuff	PC165 ~ PC166	*0.1u/25V_4