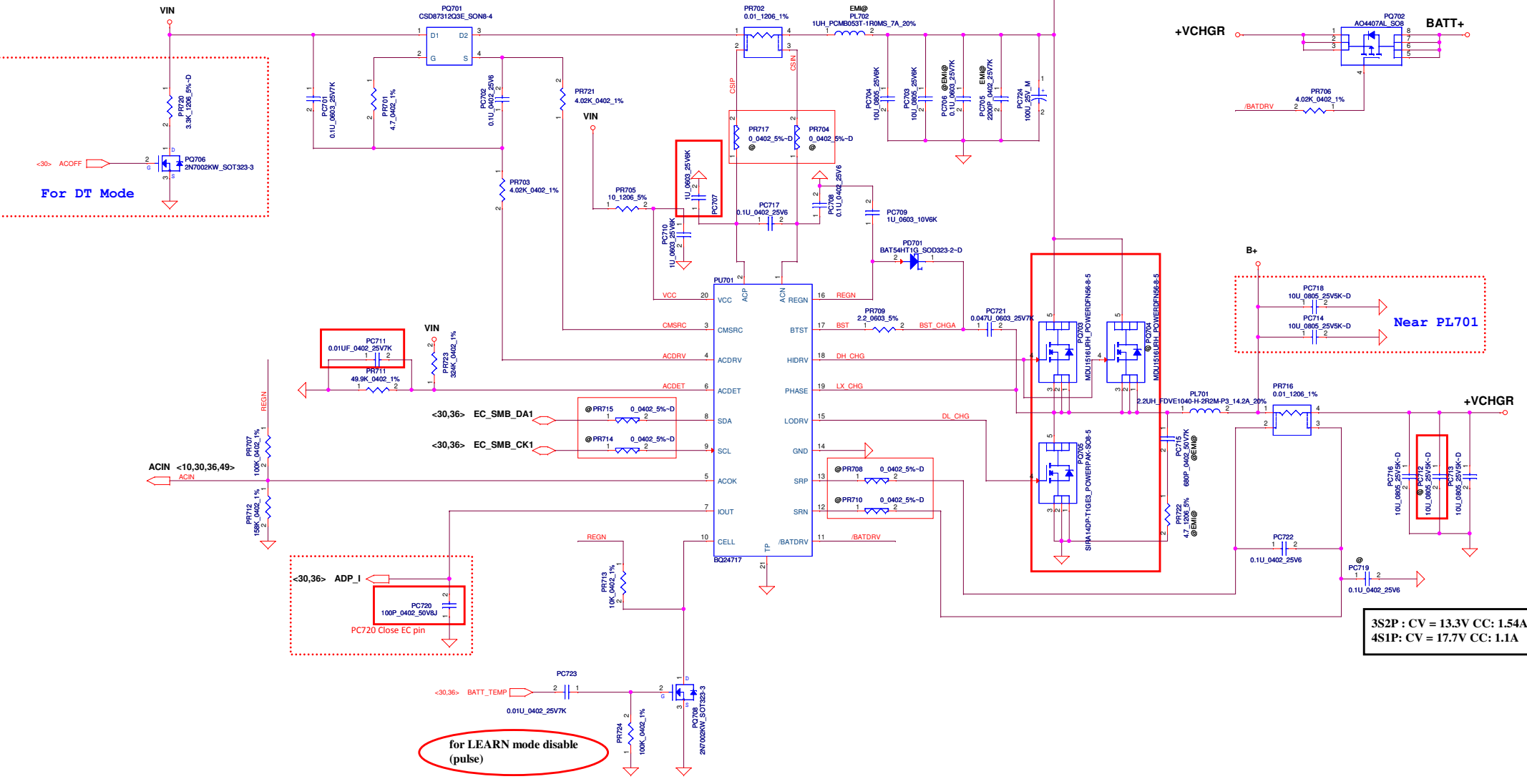


Iada=0~3.33A (65W)
 Iada=0~4.62A (90W)

$ADP_I = 40 * I_{adapter} * R_{sense}$



For DT Mode

Near PL701

PC720 Close EC pin

for LEARN mode disable (pulse)

3S2P : CV = 13.3V CC: 1.54A
 4S1P : CV = 17.7V CC: 1.1A