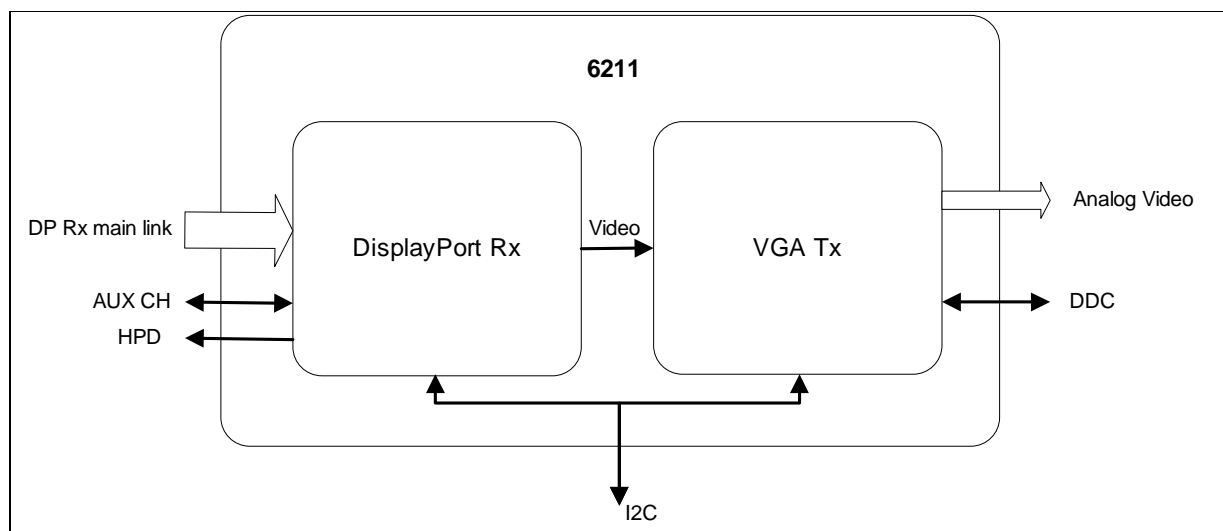


DisplayPort™ 1.2 to VGA Converter

The ANX6211 is a DisplayPort to VGA converter featuring low power consumption, high performance, and cost-effective. Designed for motherboards, the ANX6211 is optimized in terms of space, power, and performance for the next generation of CPUs. Analogix's expertise in DisplayPort to VGA design ensures compatibility with all existing VGA displays.

Features

- VGA output
 - Supports resolutions up to WQXGA (2560x1600 @60Hz, 24bpp)
 - VGA output meets VESA VSIS v1r2 clock jitter specification
 - VGA output pixel rate up to 270 MHz
 - Low power standby mode with automatic monitor plug and unplug detect
 - EDID and MCCS pass-through support
 - DDC speed control for use with longer VGA cables
- DisplayPort input
 - VESA compliant DisplayPort 1.2 receiver
 - VESA compliant eDP v1.3 receiver
 - 2 lane high speed differential input with configurable speed: 5.4Gbps, 2.7Gbps, or 1.62Gbps
- Power optimized for Ultra books
 - Under 350mW operation at WUXGA resolutions
 - 15mW standby power
 - DisplayPort HBR2 capability allows for single lane operation up to WUXGA. Saves 50mW of DP Tx power
 - 3.3V and 1.05V power requirements easily found on next generation motherboards. No need for external regulators, saving power, space, and cost.
- Other features
 - Minimum BOM requirements
 - Default settings changeable with I2C
 - -10 to +75°C operating temperature
 - 7x7mm, 48 QFN (0.5mm pitch) package



Related Products

Part Number	Description
ANX6210	One DisplayPort lane to VGA converter with OCM
ANX6212	Two DisplayPort lanes to VGA converter with OCM

Copyright ©2014 Analogix Semiconductor, Inc.
3211 Scott Blvd., Suite 103
Santa Clara, CA 95054, USA
+1 (408) 988-8848

<http://www.analogix.com/>

©2014 Analogix Semiconductor, Inc. All Rights reserved.

THE INFORMATION CONTAINED IN THIS DOCUMENT IS PROVIDED "AS IS" WITHOUT ANY EXPRESS REPRESENTATIONS OF WARRANTIES. IN ADDITION, ANALOGIX SEMICONDUCTOR INC. DISCLAIMS ALL IMPLIED REPRESENTATIONS AND WARRANTIES, INCLUDING ANY WARRANTY OF MERCHANTABILITY, FITNESS FOR A PARTICULAR PURPOSE, OR NON-INFRINGEMENT OF THIRD PARTY INTELLECTUAL PROPERTY RIGHTS.

This document contains proprietary information of Analogix Semiconductor, Inc. or under license from third parties. No part of this document may be reproduced in any form or by any means or transferred to any third party without the prior written consent of Analogix Semiconductor, Inc.

The information contained in this document is not designed or intended for use in on-line control of aircraft, aircraft navigation or aircraft communications; or in the design, construction, operation or maintenance of any nuclear facility. Analogix disclaims any express or implied warranty of fitness for such uses.

Analogix Semiconductor, Inc., the Analogix Logo, and WideEye™ SerDes, SlimPort®, and CoolHD® are trademarks of Analogix Semiconductor, Inc., in the United States and other countries.

HDMI, the HDMI logo and High-Definition Multimedia Interface are trademarks or registered trademarks of HDMI Licensing LLC.

DisplayPort and the DisplayPort logo are trademarks or registered trademarks of the Video Electronics Standards Association, VESA®.

USB and the USB logo are trademarks or registered trademarks of USB Implementers Forum, Inc., creators of USB technology.

All other trademarks and registered trademarks are the property of their respective owners.