

**3.3V, 10-differential channel Dual-LVDS  
switch targeted for 24bit displays****Features**

- Designed specifically to switch Dual-LVDS signals
- $V_{DD} = 3.3V \pm 10\%$
- ESD tolerance on video I/O pins is up to 12kV HBM
- -3dB BW of 1.0GHz (typ)
- Low Xtalk, (-55dB typ)
- Low and Flat ON-STATE resistance ( $R_{on} = 3\text{ohm}$ ,  $R_{on(Flat)} = 0.5\text{ohm}$ , typ)
- Low input/output capacitance ( $C_{on} = 6.2\text{pF}$ , typ)
- Packaging (Pb-free and Green):
  - 80-pin BQSOP (BE)

**Applications**

- Routes physical layer signals for high bandwidth

**Description**

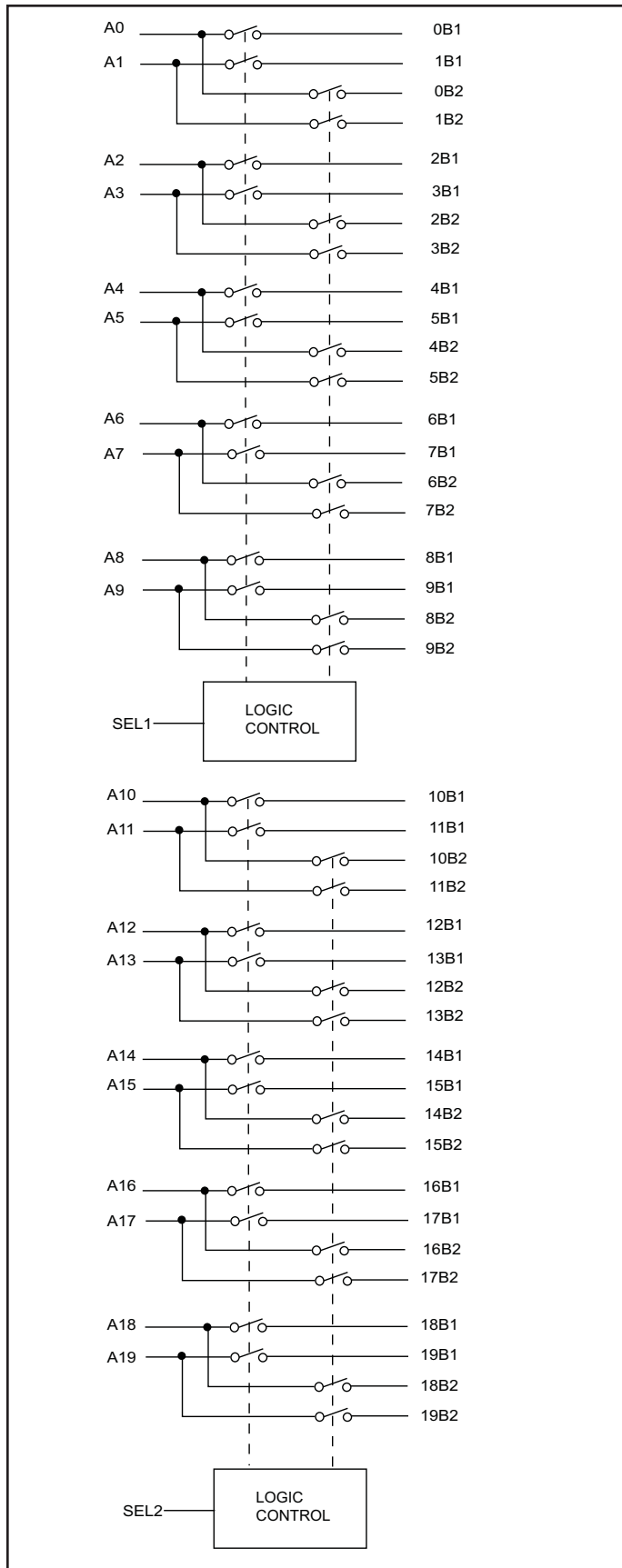
Pericom's PI3LVD1012 is a 10-differential channel LVDS mux/demux used to switch between multiple LVDS sources or end points. With new notebook architecture allowing users the ability to upgrade their graphics power, notebook designers need an effective way to switch between the upgraded graphics path. Pericom's LVDS switch allows users to switch between two graphics processors in a single notebook, driving the internal panel. PI3LVD1012 can support 18bit or 24bit panels. With the high bandwidth of  $\sim 1.2\text{GHz}$ , the signal integrity will remain strong even through the long FR4 trace through the notebook. In addition to high signal performance, the video signals are also protected against high ESD with integrated diodes to  $V_{DD}$  and GND that will support up to 12kV of ESD HBM protection.

**Truth Table**

<b>SEL<sub>x</sub></b>	<b>A<sub>y</sub></b>
L	$\gamma B_1$
H	$\gamma B_2$

**Note:**

**1. If  $x=1$ , then  $y=0-9$ ; if  $x=2$ , then  $y=10-19$**

**Block Diagram**


**Pin Description**
**80-Pin BQSOP**

1B1	1	80	0B2
0B1	2	79	1B2
GND	3	78	2B1
VDD	4	77	3B1
A0	5	76	2B2
A1	6	75	3B2
OE1	7	74	GND
A2	8	73	4B1
A3	9	72	5B1
VDD	10	71	4B2
A4	11	70	5B2
A5	12	69	VDD
GND	13	68	6B1
A6	14	67	7B1
A7	15	66	6B2
SEL1	16	65	7B2
A8	17	64	8B1
A9	18	63	9B1
VDD	19	62	8B2
GND	20	61	9B2
GND	21	60	10B1
VDD	22	59	11B1
A10	23	58	10B2
A11	24	57	11B2
OE2	25	56	12B1
A12	26	55	13B1
A13	27	54	12B2
VDD	28	53	13B2
A14	29	52	GND
A15	30	51	14B1
GND	31	50	15B1
A16	32	49	14B2
A17	33	48	15B2
SEL2	34	47	VDD
A18	35	46	16B1
A19	36	45	17B1
VDD	37	44	16B2
GND	38	43	17B2
19B2	39	42	18B1
18B2	40	41	19B1

### Maximum Ratings

(Above which useful life may be impaired. For user guidelines, not tested.)

Storage Temperature.....	-65°C to +150°C
Supply Voltage to Ground Potential.....	-0.5V to +5.0V
DC Input Voltage.....	-0.5V to +5.5V
DC Output Current.....	120mA
Power Dissipation.....	0.5W

#### Note:

Stresses greater than those listed under MAXIMUM RATINGS may cause permanent damage to the device. This is a stress rating only and functional operation of the device at these or any other conditions above those indicated in the operational sections of this specification is not implied. Exposure to absolute maximum rating conditions for extended periods may affect reliability.

### DC Electrical Characteristics for Video Switching over Operating Range

( $T_A = -40^\circ\text{C}$  to  $+85^\circ\text{C}$ ,  $V_{DD} = 3.3\text{V} \pm 10\%$ )

Parameter	Description	Test Conditions <sup>(1)</sup>	Min.	Typ. <sup>(2)</sup>	Max.	Units
$V_{IH}$	Input HIGH Voltage	Guaranteed HIGH level	2	-	-	V
$V_{IL}$	Input LOW Voltage	Guaranteed LOW level	-0.5	-	0.8	
$V_{IK}$	Clamp Diode Voltage	$V_{DD} = \text{Max.}, I_{SELx} = -18\text{mA}$	-	-0.7	-1.2	
$I_{IH}$	Input HIGH Current	$V_{DD} = \text{Max.}, V_{SELx} = V_{DD}$	-	-	$\pm 5$	$\mu\text{A}$
$I_{IL}$	Input LOW Current	$V_{DD} = \text{Max.}, V_{SELx} = \text{GND}$	-	-	$\pm 5$	
$I_{OFF}$	Power Down Leakage Current	$V_{DD} = 0\text{V}, V_B = 0\text{V}, V_A \leq 3.6$	-	-	$\pm 1$	
$R_{ON}$	Switch On-Resistance <sup>(3)</sup>	$V_{DD} = \text{Min.}, 0.9\text{V} \leq V_{\text{input}} \leq 1.6\text{V}, I_{\text{input}} = -40\text{mA}$	-	3	-	$\Omega$
$R_{\text{FLAT(ON)}}$	On-Resistance Flatness <sup>(4)</sup>	$V_{DD} = \text{Min.}, V_{\text{input}} @ 0\text{V and } 1.5\text{V}, I_{\text{input}} = -40\text{mA}$	-	0.1	-	
$\Delta R_{ON}$	On-Resistance match from center ports to any other port <sup>(4)</sup>	$V_{DD} = \text{Min.}, 0.9\text{V} \leq V_{\text{input}} \leq 1.6\text{V}, I_{\text{input}} = -40\text{mA}$	-	0.2	-	

### Capacitance ( $T_A = 25^\circ\text{C}$ , $f = 1\text{MHz}$ )

Parameters <sup>(4)</sup>	Description	Test Conditions <sup>(1)</sup>	Typ. <sup>(2)</sup>	Units
$C_{IN}$	Input Capacitance	$V_{SELx} = 0\text{V}$	2.5	pF
$C_{OFF}$	Switch I Capacitance, Switch OFF		2.2	
$C_{ON}$	Switch Capacitance, Switch ON		6.2	

#### Notes:

- For max. or min. conditions, use appropriate value specified under Electrical Characteristics for the applicable device type.
- Typical values are at  $V_{DD} = 3.3\text{V}$ ,  $T_A = 25^\circ\text{C}$  ambient and maximum loading.
- Measured by the voltage drop between input and output pins at indicated current through the switch.
- This parameter is determined by device characterization but is not production tested.

### Power Supply Characteristics

Parameters	Description	Test Conditions <sup>(1)</sup>	Min.	Typ. <sup>(2)</sup>	Max.	Units
I <sub>DD</sub>	Quiescent Power Supply Current	V <sub>DD</sub> = Max., V <sub>SELx</sub> = GND or V <sub>DD</sub>	-	0.7	1.5	mA

**Notes:**

- For max. or min. conditions, use appropriate value specified under Electrical Characteristics for the applicable device type.
- Typical values are at V<sub>DD</sub> = 3.3V, T<sub>A</sub> = 25°C ambient and maximum loading.

### Dynamic Electrical Characteristics Over the Operating Range (T<sub>A</sub> = -40° to +85°C, V<sub>DD</sub> = 3.3V ± 10%, GND = 0V)

Parameter	Description	Test Conditions	Min.	Typ. <sup>(2)</sup>	Max.	Units
X <sub>TALK</sub>	Crosstalk	f = 250MHz, See Fig. 2	-	-55	-	dB
O <sub>IRR</sub>	OFF Isolation	f = 250MHz, See Fig. 3	-	-42	-	
BW	Bandwidth -3dB	See Fig. 1	-	1	-	GHz

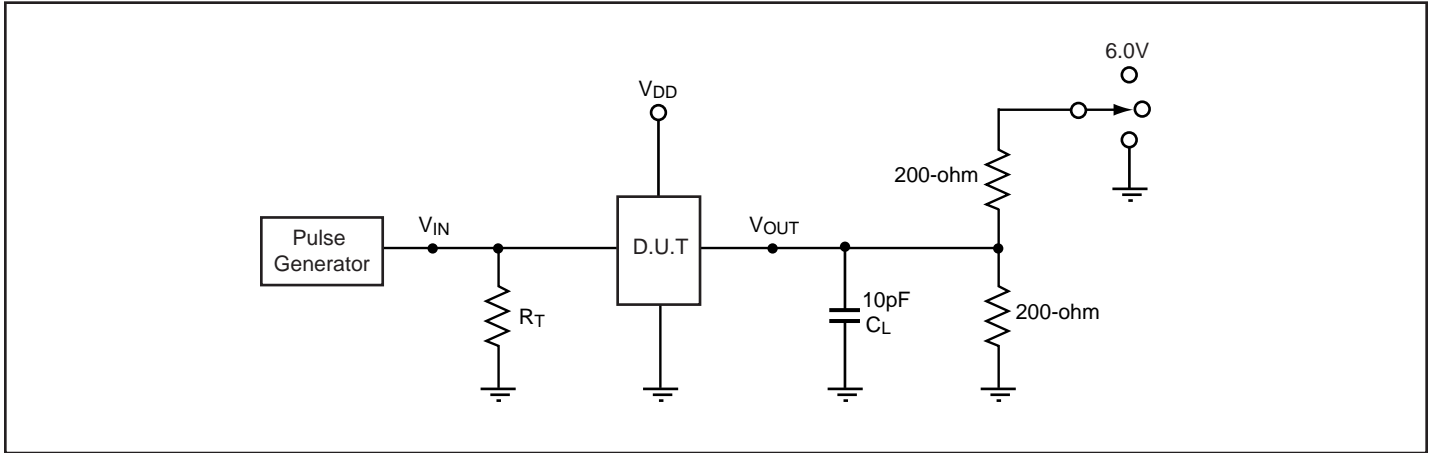
### Switching Characteristics

Parameter	Description	Min.	Typ. <sup>(2)</sup>	Max.	Units
t <sub>PD</sub>	Propagation Delay <sup>(2,3)</sup>	-	0.25		ns
t <sub>PZH</sub> , t <sub>PZL</sub>	Line Enable Time - SEL to Input, Output	0.5	-	15	
t <sub>PHZ</sub> , t <sub>PLZ</sub>	Line Disable Time - SEL to Input, Output	0.5	-	9	
t <sub>SK(p)</sub>	Skew between opposite transitions of the same output (t <sub>PHL</sub> - t <sub>PLH</sub> ) <sup>(2)</sup>	-	0.1	0.2	

**Notes:**

- For max. or min. conditions, use appropriate value specified under Electrical Characteristics for the applicable device type.
- Guaranteed by design.
- The switch contributes no propagational delay other than the RC delay of the On-Resistance of the switch and the load capacitance. The time constant for the switch alone is of the order of 0.25ns for 10pF load. Since this time constant is much smaller than the rise/fall times of typical driving signals, it adds very little propagational delay to the system. Propagational delay of the LVDS switch when used in a system is determined by the driving circuit on the driving side of the switch and its interactions with the load on the driven side.

### Test Circuit for Electrical Characteristics<sup>(1)</sup>



#### Notes:

1.  $C_L$  = Load capacitance: includes jig and probe capacitance.
2.  $R_T$  = Termination resistance: should be equal to  $Z_{OUT}$  of the Pulse Generator
3. All input impulses are supplied by generators having the following characteristics:  $f = 10$  MHz,  $Z_O = 50\Omega$ ,  $t_R \leq 2.5$ ns,  $t_F \leq 2.5$ ns.
4. The outputs are measured one at a time with one transition per measurement.

### Switch Positions

Test	Switch
$t_{PLZ}$ , $t_{PZL}$	6.0V
$t_{PHZ}$ , $t_{PZH}$	GND
Prop Delay	Open

### Test Circuit for Dynamic Electrical Characteristics

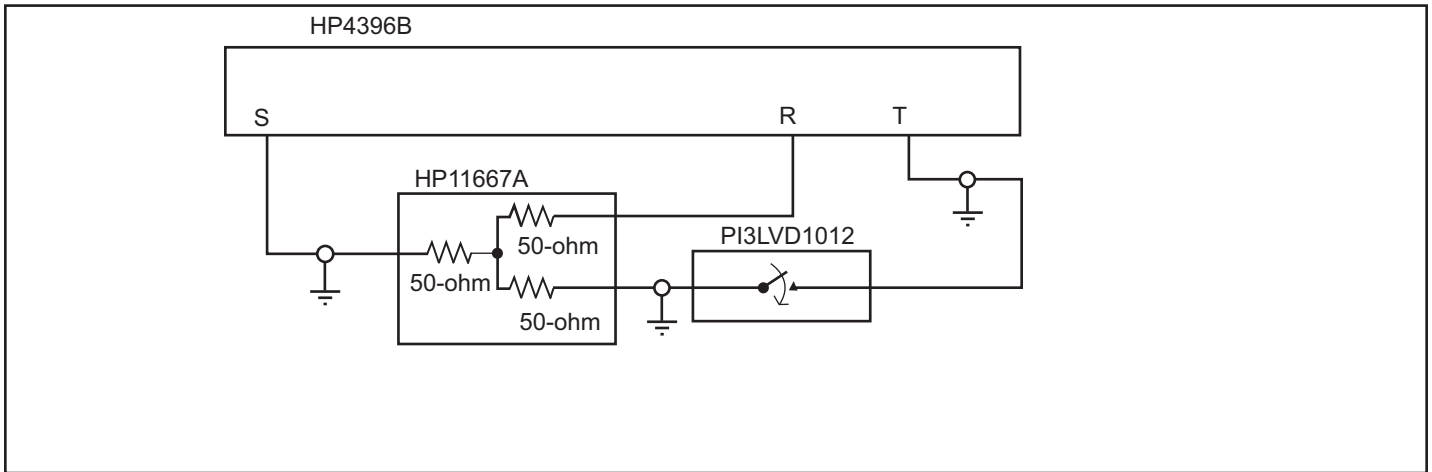
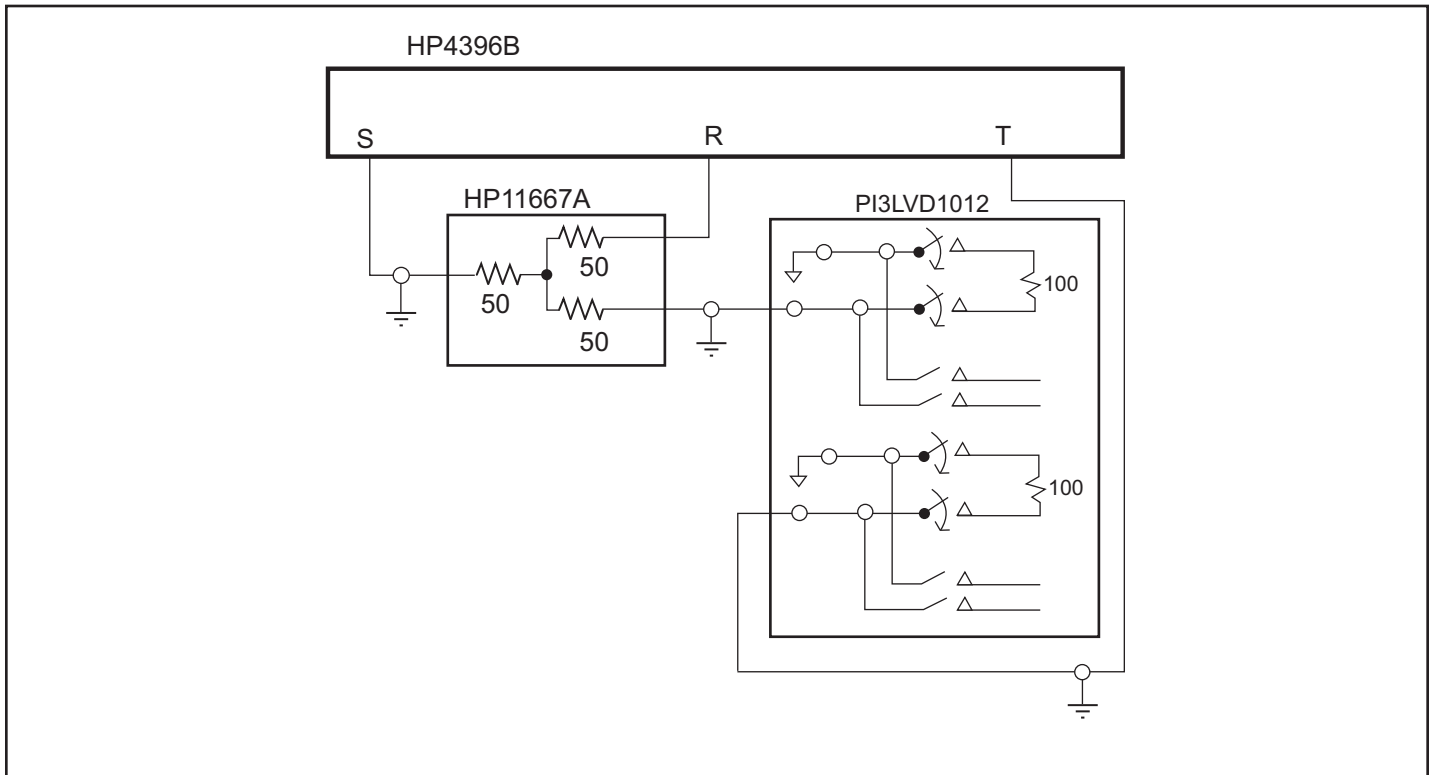
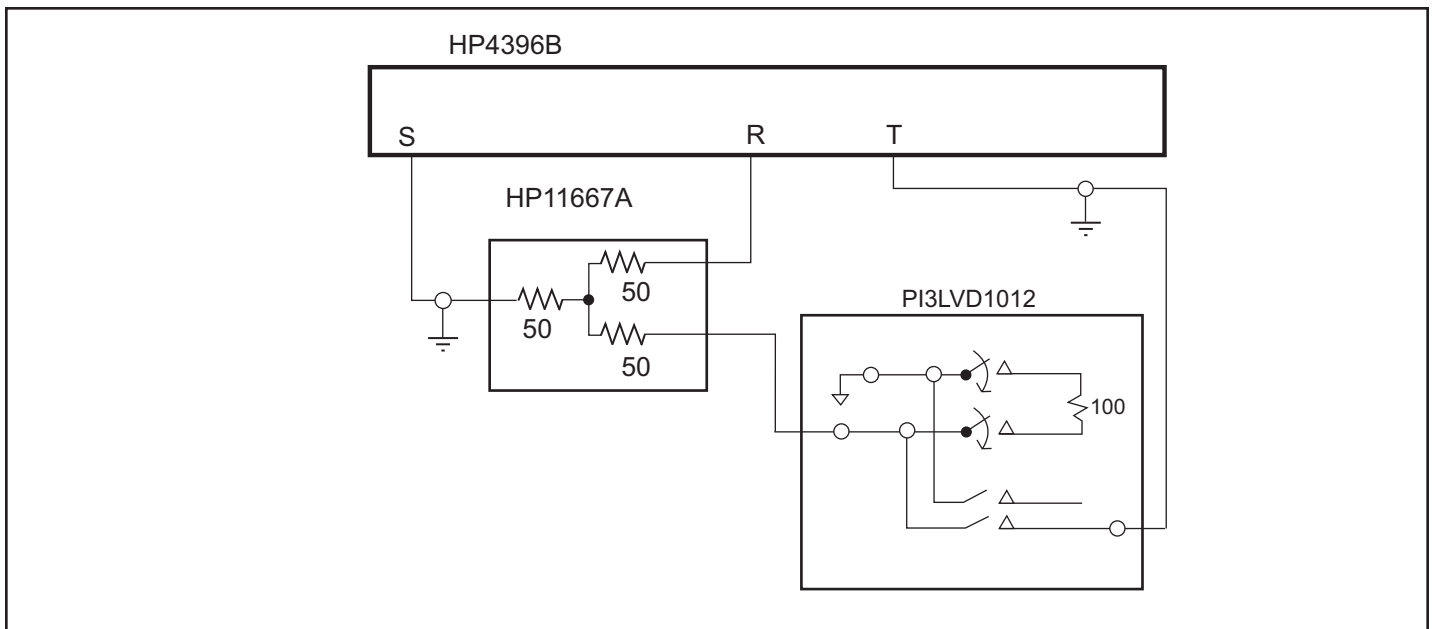


Figure 1. Bandwidth -3dB Testing

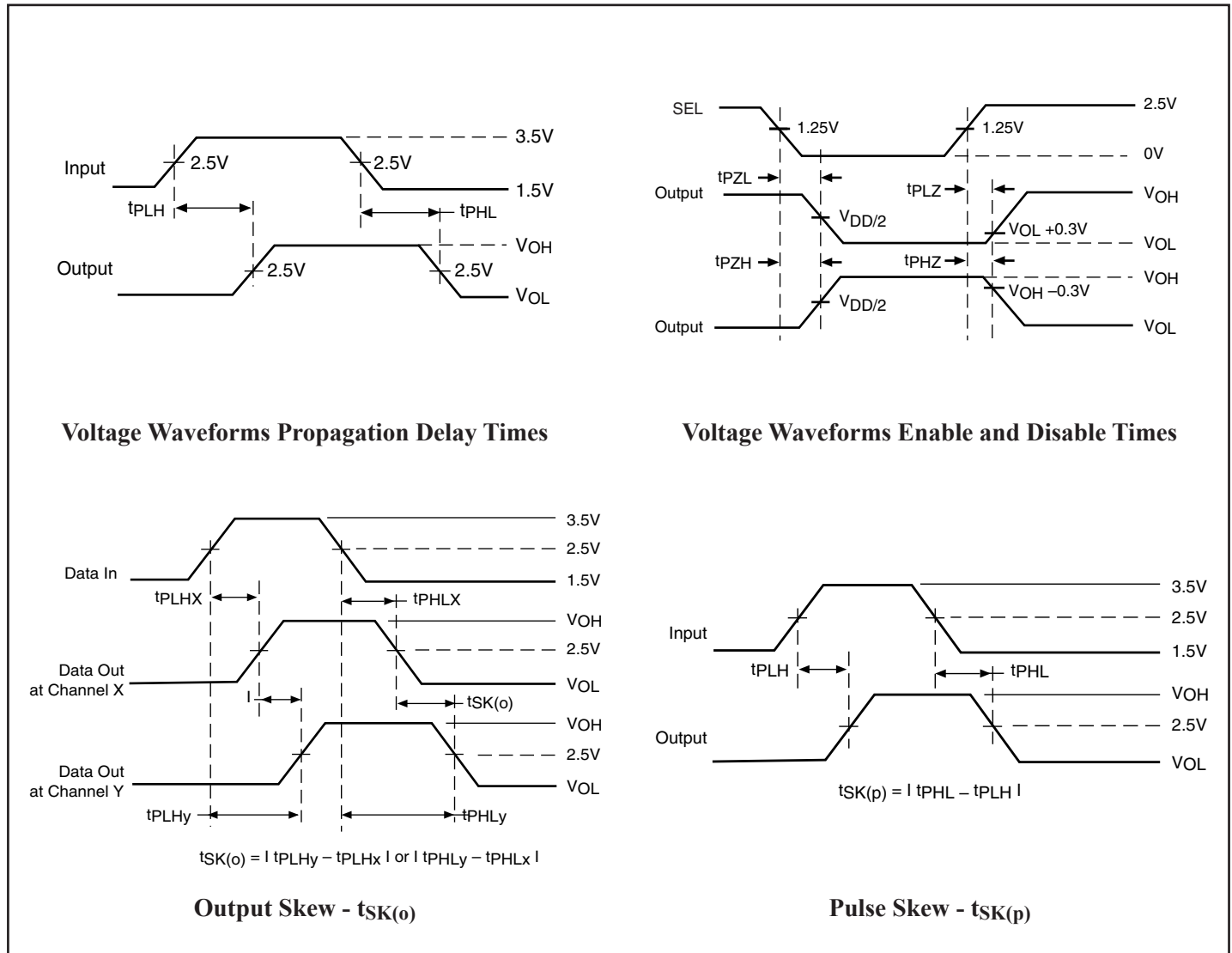


**Figure 2. Crosstalk Test Setup**



**Figure 3. Off Isolation Test Setup**

## Switching Waveforms



## Applications Information

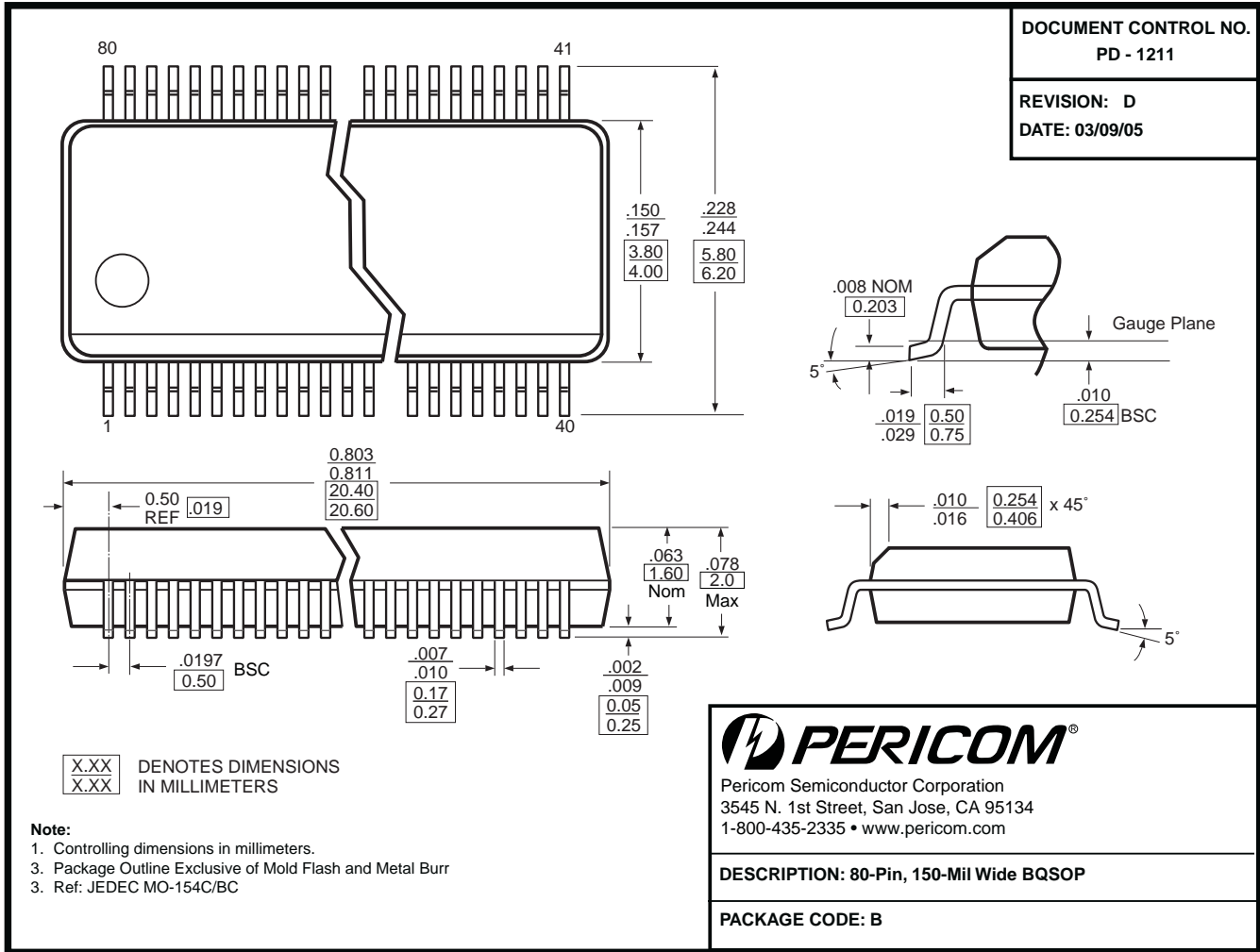
### Logic Inputs

The logic control inputs can be driven up to +3.6V regardless of the supply voltage. For example, given a +3.3V supply, the output enables or select pins may be driven low to 0V and high to 3.6V. Driving IN Rail-to-Rail® minimizes power consumption.

*Rail-to-Rail is a registered trademark of Nippon Motorola, Ltd*



Packaging Mechanical: 80-pin BQSOP (B)



Ordering Information

Ordering Code	Package Code	Package Description
PI3LVD1012BE	BE	Pb-free & Green, 80-pin BQSOP

Notes:

- Thermal characteristics can be found on the company web site at [www.pericom.com/packaging/](http://www.pericom.com/packaging/).