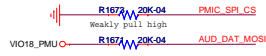
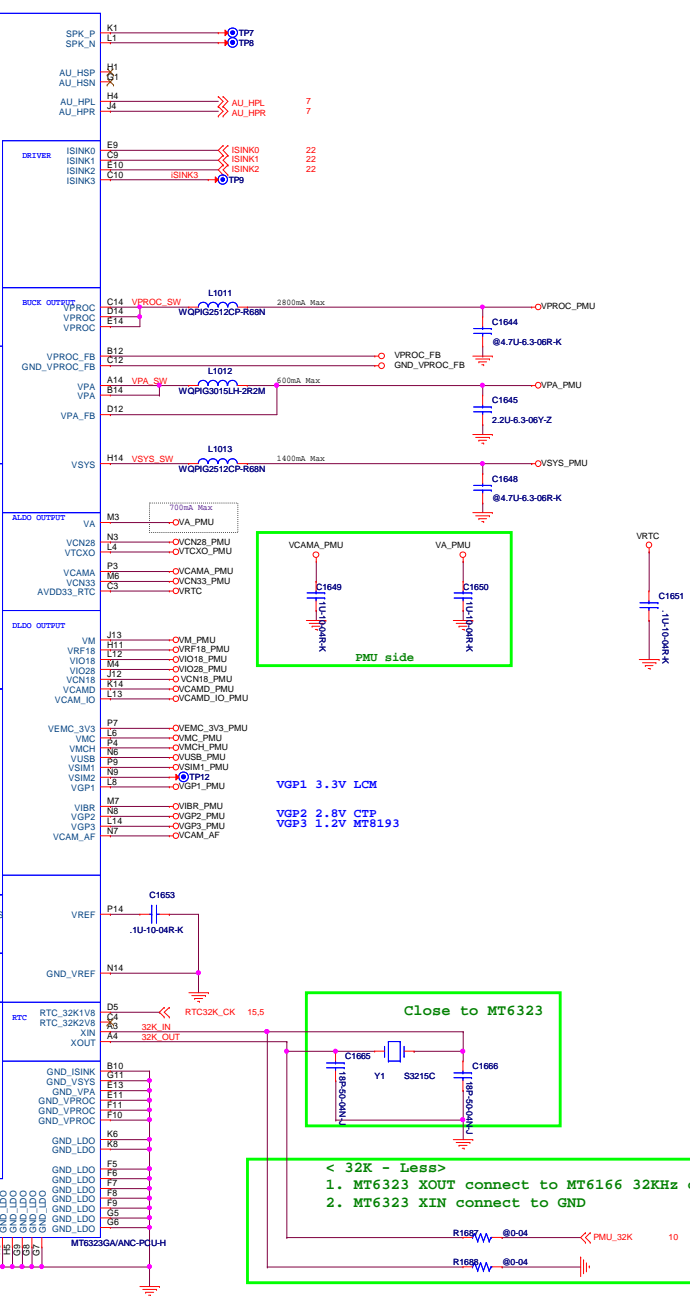
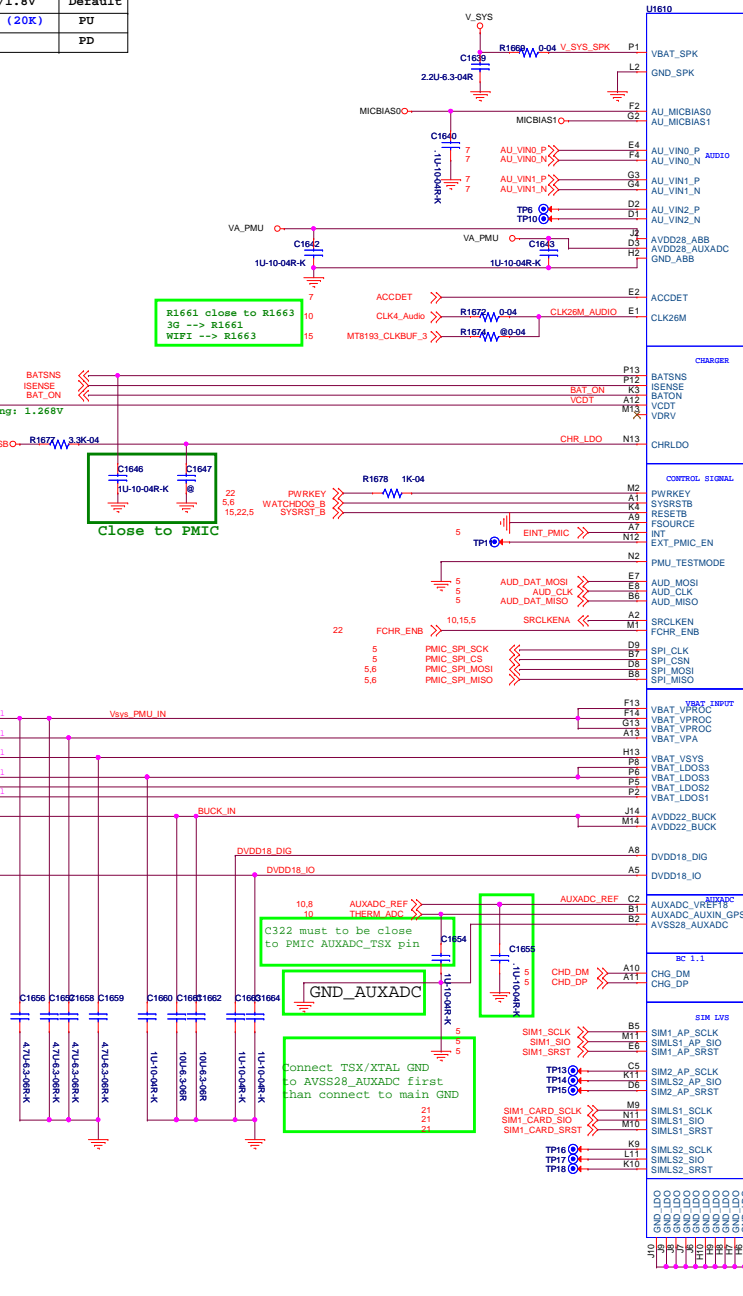
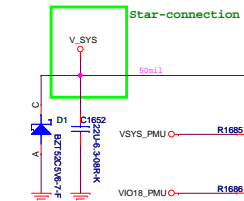


Symbol	LPDDR2/1.2V	PCDDR3L/1.35V	PCDDR3/1.5V	LPDDR1/1.8V	Default
SPI_CSN	H	L (20K)	H	L (20K)	PU
AUD_MOSI	L	H (20K)	H (20K)	L	PD



Vbat should connect to C341 first, then star-connection to MT6323



R1661 close to R1663  
3G --> R1661  
WIFI --> R1663

Close to PMIC

PMU side

VGP1 3.3V LCM  
VGP2 2.8V CTP  
VGP3 1.2V MT8193

C322 must be close to PMIC AUXADC\_TSX pin

Connect TSX/XTAL GND to AVSS28\_AUXADC first then connect to main GND

Close to MT6323

< 32K - Less >  
1. MT6323 XOUT connect to MT6166 32KHz output  
2. MT6323 XIN connect to GND

