

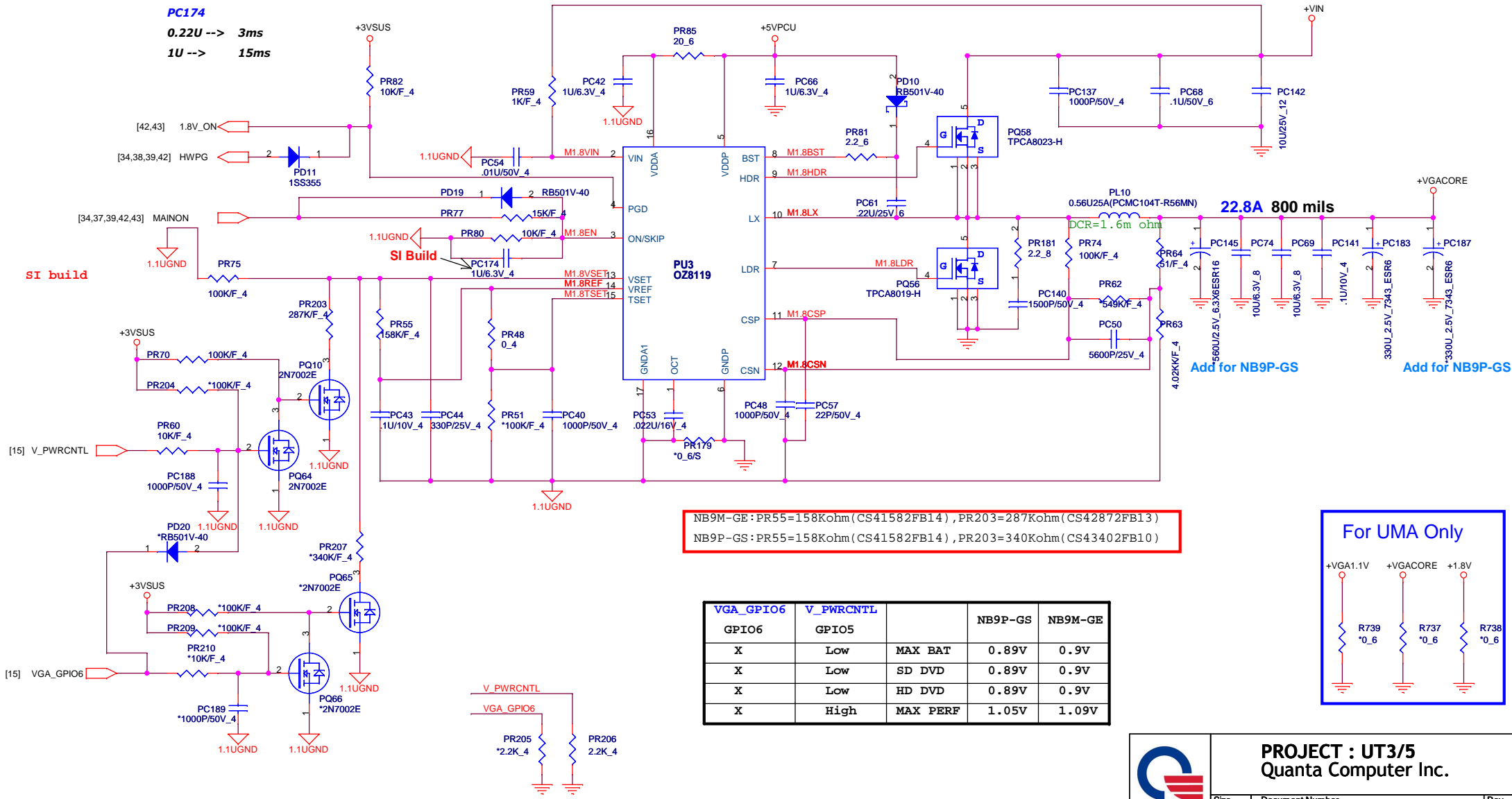
# VGA Core & VCC1.1

+1.1Volt +/- 5%  
 Countinue current:17.54A  
 Peak current:22.8A  
 OCP minimum 23A

PC174

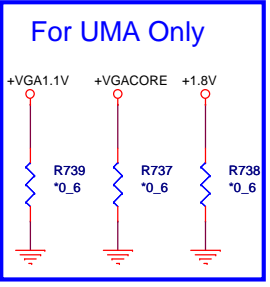
0.22U --> 3ms

1U --> 15ms



NB9M-GE: PR55=158Kohm (CS41582FB14) , PR203=287Kohm (CS42872FB13)  
 NB9P-GS: PR55=158Kohm (CS41582FB14) , PR203=340Kohm (CS43402FB10)

VGA_GPIO6	V_PWRCTRL		NB9P-GS	NB9M-GE
X	Low	MAX BAT	0.89V	0.9V
X	Low	SD DVD	0.89V	0.9V
X	Low	HD DVD	0.89V	0.9V
X	High	MAX PERF	1.05V	1.09V



**PROJECT : UT3/5**  
 Quanta Computer Inc.

Size B	Document Number <b>VGA Core OZ8119</b>	Rev PV
Date: Monday, October 20, 2008		Sheet 41 of 43