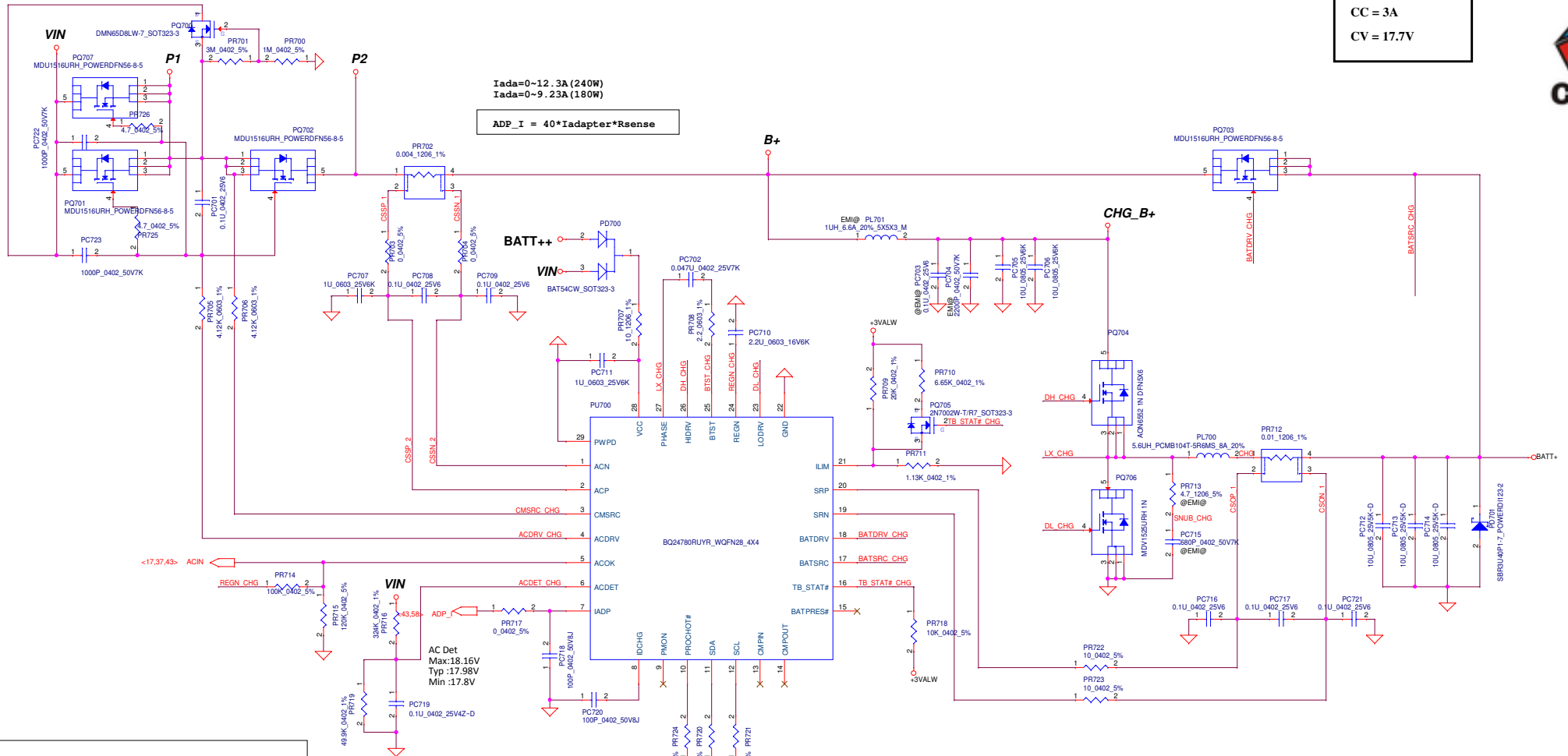


CC = 3A
CV = 17.7V

Iada=0~12.3A (240W)
Iada=0~9.23A (180W)
ADP_I = 40*Iadapter*Rsense



ADPI = 0.004*40*IADP = 0.16 * IADP

Adapter = 240W
 CP = 240W/19.5V*0.9 = 11.07A
 ADPI = 1.77V
 IPCC = 240W/19.5V*0.95 = 11.69A
 ADPI = 1.86V
 IPCC (hybrid) = 240W/19.5V = 12.3A
 ADPI = 1.97V
 PROCHOT = 240W/19.5V+(1*0.95) = 13.25A
 ADPI = 2.12V

Adapter = 180W
 CP = 180W/19.5V*0.9 = 8.30A
 ADPI = 1.33V
 IPCC = 180W/19.5V*(1*0.95) = 8.77A
 ADPI = 1.40V
 IPCC (hybrid) = 180W/19.5V = 9.23A
 ADPI = 1.48V
 PROCHOT = 180W/19.5V+(1*0.95) = 10.18A
 ADPI = 1.62V

Security Classification		Compal Secret Data		Title	
Issued Date	2014/2/11	Deciphered Date	2014/2/11	PWR-Charger	
THIS SHEET OF ENGINEERING DRAWING IS THE PROPRIETARY PROPERTY OF COMPAL ELECTRONICS, INC. AND CONTAINS CONFIDENTIAL AND TRADE SECRET INFORMATION. THIS SHEET MAY NOT BE TRANSFERRED FROM THE CUSTODY OF THE COMPETENT DIVISION OF R&D DEPARTMENT EXCEPT AS AUTHORIZED BY COMPAL ELECTRONICS, INC. NEITHER THIS SHEET NOR THE INFORMATION IT CONTAINS MAY BE USED BY OR DISCLOSED TO ANY THIRD PARTY WITHOUT PRIOR WRITTEN CONSENT OF COMPAL ELECTRONICS, INC.				Size	Document Number
				LA-B751P	Rev 0.1
Date: Wednesday, March 26, 2014				Sheet	59 of 69